



4 Exploded view - selector lever handle with selector lever boot, selector lever display illumination bulb - L101- (vehicles up to 11.2009)

1 - Trim frame with selector lever display illumination bulb - L101-

- ❑ ⇒ "4.4 Removing and installing selector lever display illumination bulb L101 (vehicles with selector lever boot, up to 11.2009)", page 45

2 - Trim ring

- ❑ Removing and installing ⇒ "4.3 Separating selector lever boot from selector lever handle (vehicles with selector lever boot, up to 11.2009)", page 45

3 - Selector lever handle

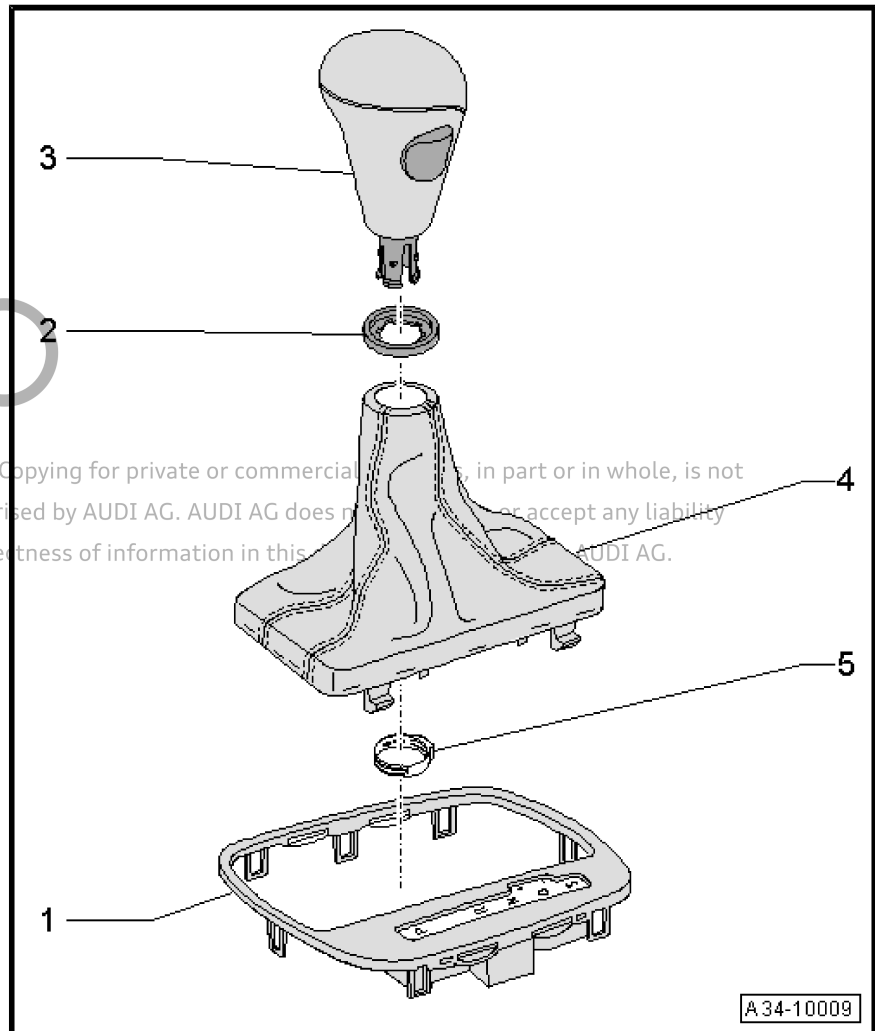
- ❑ ⇒ "4.2 Removing and installing selector lever handle (vehicles with selector lever boot, up to 11.2009)", page 42

4 - Selector lever boot

- ❑ ⇒ "4.3 Separating selector lever boot from selector lever handle (vehicles with selector lever boot, up to 11.2009)", page 45

5 - Clamp

- ❑ Secures selector lever handle to selector lever
- ❑ Removing and installing ⇒ "4.2 Removing and installing selector lever handle (vehicles with selector lever boot, up to 11.2009)", page 42



4.1 Operating manual release for selector mechanism from position "P" (vehicles with selector lever boot, up to 11.2009)

- ◆ The selector lever lock solenoid - N110- locks the selector lever in position "P". The selector lever can then only be shifted out of position "P" when the ignition is on / the engine is running, the brake pedal is depressed and the button on the selector lever handle is pressed ⇒ page 30 .
- ◆ In the event of malfunctions in the supply voltage to the selector lever lock solenoid (discharged battery or defective fuse) or if the solenoid is defective the selector lever cannot be shifted out of position "P", i.e. the vehicle cannot be moved, as the parking lock is engaged.

In this case:

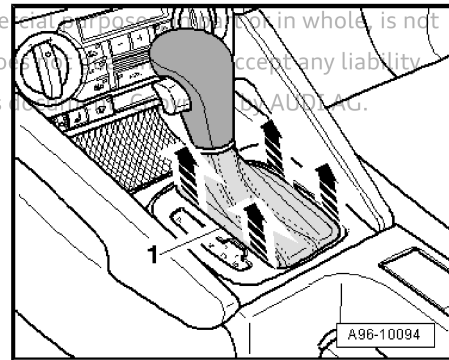


- Check fuses ⇒ Current flow diagrams, Electrical fault finding and Fitting locations.
- Check battery voltage ⇒ Electrical system; General information; Rep. gr. 27

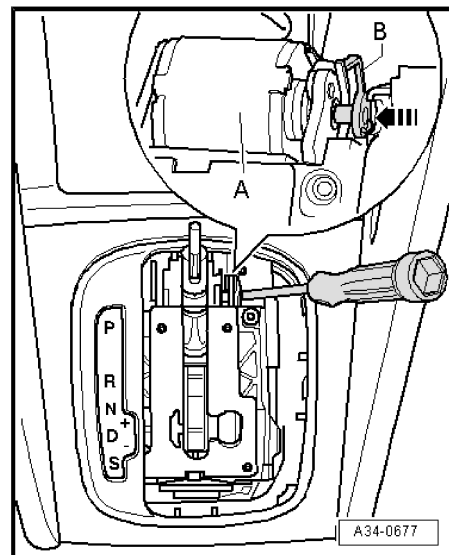
If fault finding has not been successful and selector lever can still not be shifted from "P" the solenoid must be released manually. However, if the selector lever is then moved back to "P" it will remain locked in position "P" once again.

Procedure

- Unclip retaining frame for selector lever boot -1- from centre console and detach upwards -arrows-.
- Pull up boot for selector lever and turn inside out.



- Use the screwdriver -1- from the vehicle tool kit to release the selector lever lock solenoid -A-.
- To do so press lever -B- inwards -arrow- with the screwdriver and keep it in this position. The solenoid will then release the selector lever.



Caution

If parts of the selector mechanism are damaged, the selector mechanism has to be renewed as a complete unit.



Note

The selector mechanism is shown without the selector lever handle for ease of illustration. However, it is not necessary to remove the selector lever handle to operate the manual release mechanism.

- Now press button on selector lever knob (with solenoid released) and shift selector lever out of "P".



Note

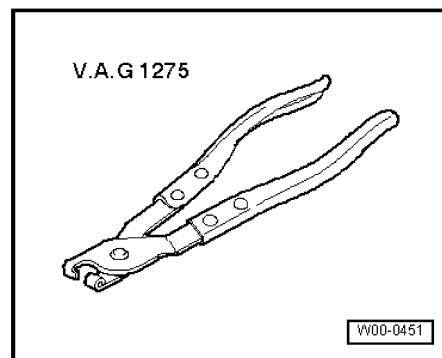
However, if the selector lever is now moved back to "P" the selector lever lock solenoid will once again mechanically lock it in position "P". The solenoid must be released once again.

4.2 Removing and installing selector lever handle (vehicles with selector lever boot, up to 11.2009)

Special tools and workshop equipment required



- ◆ Hose clip pliers - V.A.G 1275-



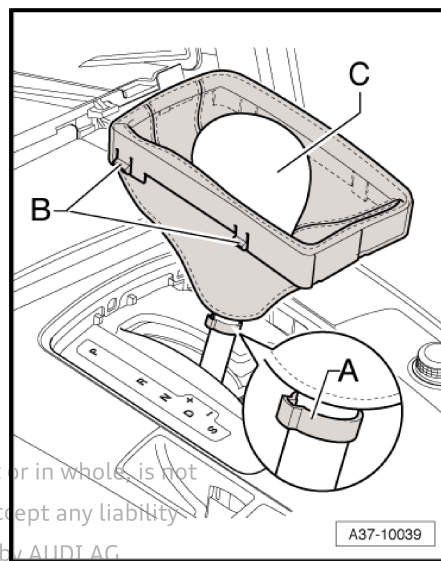
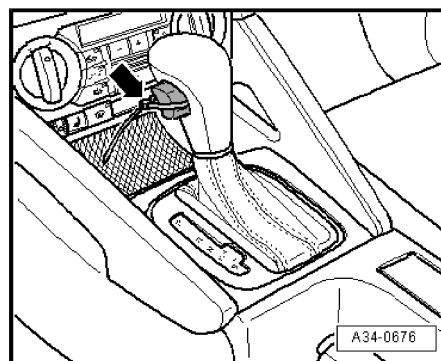
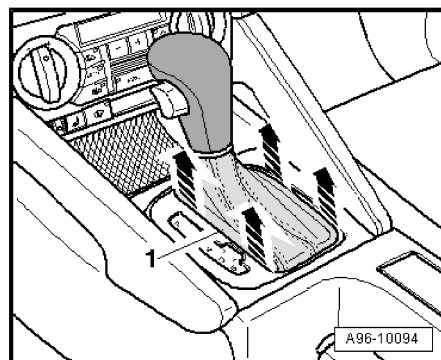
Removing



Note

The selector lever handle is removed together with the selector lever boot.

- Shift selector lever into position "N".
- Unclip retaining frame for selector lever boot -1- from centre console and detach upwards -arrows-.
- Use a cable tie to secure the interlock button in pulled-out position -arrow-, as shown in the illustration.
- Turn up selector lever boot -1- over selector lever handle -2-.
- Release clamp -arrow- and detach selector lever handle together with selector lever boot. Avoid touching the interlock button.



Protected by copyright. Copying for private or commercial purposes, in part or in whole, is not permitted unless authorised by AUDI AG. AUDI AG does not guarantee or accept any liability with respect to the correctness of information in this document. Copyright by AUDI AG.

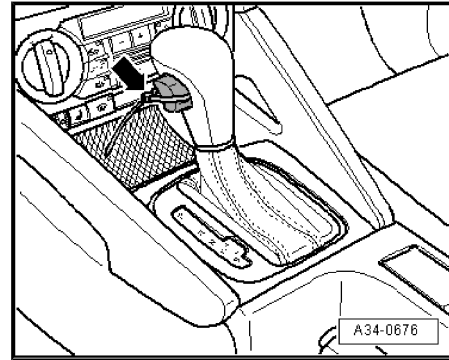


Installing

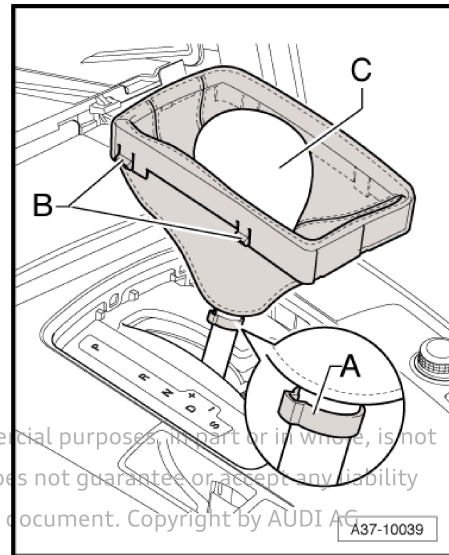


Note

- ◆ *To install the selector lever handle the interlock button has to be pulled out to the stop and must be secured with either a cable tie -arrow- or with the assembly aid supplied together with the new handle.*
 - ◆ *If, by mistake, the button has not been secured, it must not be pulled out of the selector lever handle using mechanical tools. Position a compressed air gun at the bottom of the handle and press the button out with compressed air.*
- Place selector lever handle fully on selector lever - interlock button points towards the driver.
 - The handle must engage in the annular groove on the selector lever.
 - Remove the cable tie or assembly aid, allowing the interlock button mechanism to engage in the vertical groove on the selector lever. If necessary, press the interlock button into the selector lever handle.
 - Secure selector lever handle -2- onto selector lever with clamp -arrow-. Use hose clip pliers - V.A.G 1275- for this purpose.
 - Clip retaining frame for selector lever boot -1- onto centre console.



Protected by copyright. Copying for private or commercial purposes, in part or in whole, is not permitted unless authorised by AUDI AG. AUDI AG does not guarantee or accept any liability with respect to the correctness of information in this document. Copyright by AUDI AG

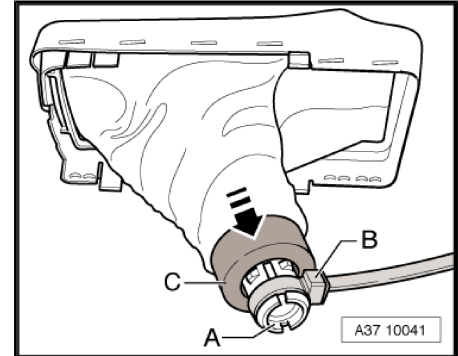




4.3 Separating selector lever boot from selector lever handle (vehicles with selector lever boot, up to 11.2009)

Removing

- Remove selector lever handle ⇒ [page 42](#) .
- Tie together spring tips -1- of selector lever handle using cable tie -3- as shown in illustration.
- Slide sleeve -2- of selector lever boot past retaining tabs on spring tips -arrow-.
- Remove cable tie and detach sleeve with selector lever boot from selector lever.



Installing

Installation is carried out in reverse sequence; note the following:

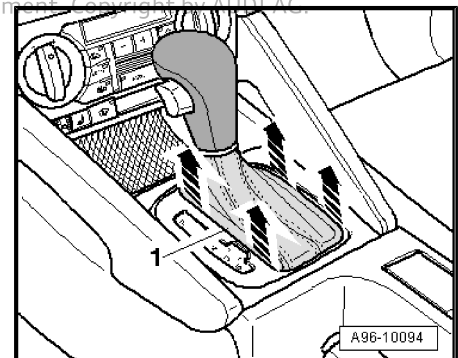
Fitting position of selector lever boot:

- The longer side of the retaining frame for the selector lever boot faces the driver's side.
- Install selector lever handle ⇒ [page 42](#) .

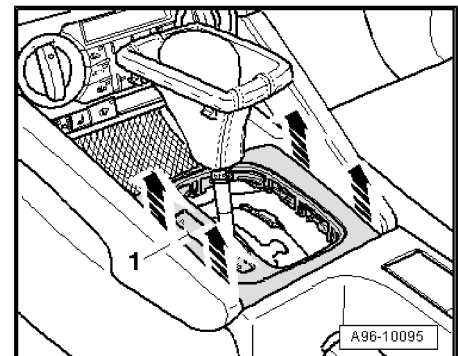
4.4 Removing and installing selector lever display illumination bulb - L101- (vehicles with selector lever boot, up to 11.2009)

Removing

- Shift selector lever into position "N".
- Switch off ignition and remove ignition key.
- Unclip retaining frame for selector lever boot -1- from centre console and detach upwards -arrows-.
- Pull up boot for selector lever and turn inside out.



- Unclip trim frame for selector lever -1- from centre console and detach upwards -arrows-.
- Remove selector lever cover.
- Unplug electrical connector.

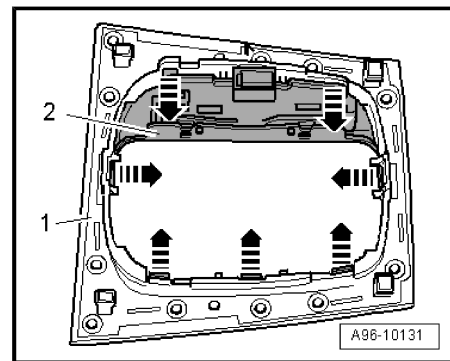




- Release retainers -arrows- and detach trim frame with selector lever display illumination bulb - L101- -item 2- from selector lever cover -1-.

Installing

Installation is carried out in reverse sequence.



Protected by copyright. Copying for private or commercial purposes, in part or in whole, is not permitted unless authorised by AUDI AG. AUDI AG does not guarantee or accept any liability with respect to the correctness of information in this document. Copyright by AUDI AG.